



Video Instructions

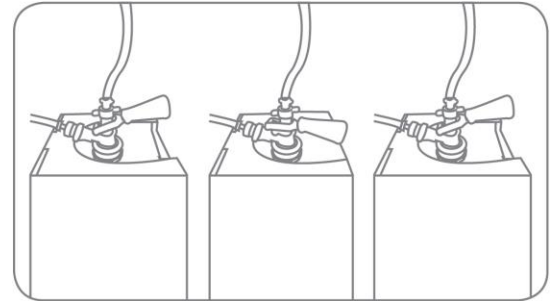
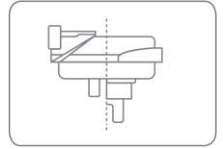
# Use and Disposal Classic S npr

S npr = S-type without automatic pressure relief function

As with all keg dispensing, please ensure that the dispense head, the keg fitting and all pipes have been cleaned and sterilized. For cleaning the fitting we recommend 70% ethanol (see Petainer Keg Sanitising Guidance for Filling and Dispensing).

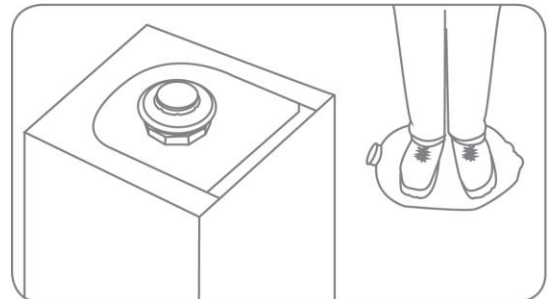
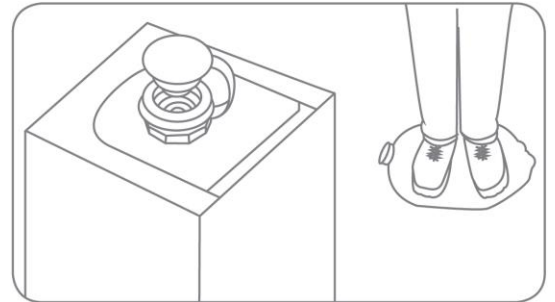
## Classic S npr Instruction for use

1. Open the carton.
2. Break and remove the snap cap.
3. Push the **S-type** dispense head into the fitting on top of the keg.
4. Hold the keg fitting with one hand and turn the dispense head with the other hand until it stops.
5. Push down the dispense head handle. The keg is now ready to dispense.



## Classic S npr Instruction for disposal

1. When the keg is empty, pull the dispense head handle upward, turn the dispense head counter-clockwise and gently remove the dispense head from the keg.
2. Push the pressure relief tool (PRT) into the fitting.  
or  
Push a reusable depressurising tool (Keg Entlüfter) into the fitting. Hold the keg fitting with one hand, turn the depressurising tool with the other hand clockwise until it stops and turn the screw clockwise until the pressure is released.
3. When **fully depressurised**, flatten the keg and send the Petainer Keg for recycling in accordance with local recycling rules and regulations.
4. The cardboard carton can also be crushed or folded and sent for recycling.



The Petainer Keg Classic S npr (with no automatic pressure relief valve) can be uncoupled and recoupled for cleaning of the dispense line, or for other reasons.

Take care.  
The Petainer Keg is under pressure.