



Video Instructions

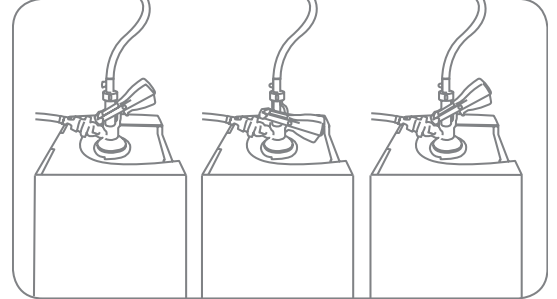
Use and Disposal Classic A npr

A npr = A-type without automatic pressure relief function

As with all keg dispensing, please ensure that the dispense head, the keg fitting and all pipes have been cleaned and sterilized. For cleaning the fitting we recommend 70% ethanol (see Petainer Keg Sanitising Guidance for Filling and Dispensing).

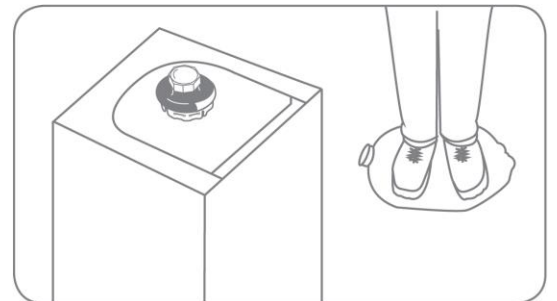
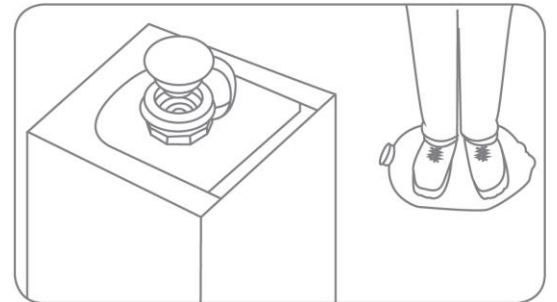
Classic A npr - Instruction for use

1. Break and remove the snap cap.
2. Slide the dispense head onto the fitting on top of the keg.
(Take care that the **dispense head is fully engaged/slide on to the fitting**, to avoid fitting damage while pressing the handle down.)
3. Push down the dispense head handle.
The keg is now ready to dispense.



Classic A npr - Instruction for disposal

1. When the keg is empty, pull the dispense head handle upward.
2. Gently slide the dispense head off the keg.
3. Push the pressure relief tool (PRT) into the fitting.
or
Slide on a reusable depressurising tool (Keg-Entlüfter) and turn the screw clockwise until the pressure is released.
4. When **fully depressurised**, flatten the keg and send the Petainer Keg for recycling in accordance with local recycling rules and regulations.
5. The cardboard carton can also be crushed or folded and send for recycling.



The Petainer Keg Classic A npr (with no automatic pressure relief valve) can be uncoupled and recoupled for cleaning of the dispense line, or for other reasons.

Take care.
The Petainer Keg is under pressure.