

The petainerKeg Hybrid format can be filled on many suitably modified steel Keg-Fillers. Please contact the filling machine supplier for advice, format parts and program modifications.

When using the petainerKeg Hybrid format, please note the following:

## General

Modify the machine program in accordance with the instructions below:

1. All steel Keg washing and sterilising functions need to be inhibited, including the “head seal check” and the spear adaptor moving, except on the filling head.
2. Keg must be filled volumetrically to the required capacity to provide head space.

## Intermediate head rinsing

If the racker design allows, it is desirable to flush/disinfect the filling head and each keg valve from outside before and after filling.

1. e.g. with hot water (1 second with 85°C / 185 F).
2. Water pressure before filling maximum 0.5 bar / 7.25 psi.
3. Water pressure after filling should not exceed the pressure in the Keg.

## Racker Conversion

1. Check that the filling head spear adaptor (piston top) dimensions comply with the Petainer closure drawing. Failure to do so may damage the closure and prevent its proper operation!
2. Maximum allowed top load is:  
20 l Hybrid: 2000 N (450 lbf) with 0,5bar / 7,25 psi in the keg

## Safety

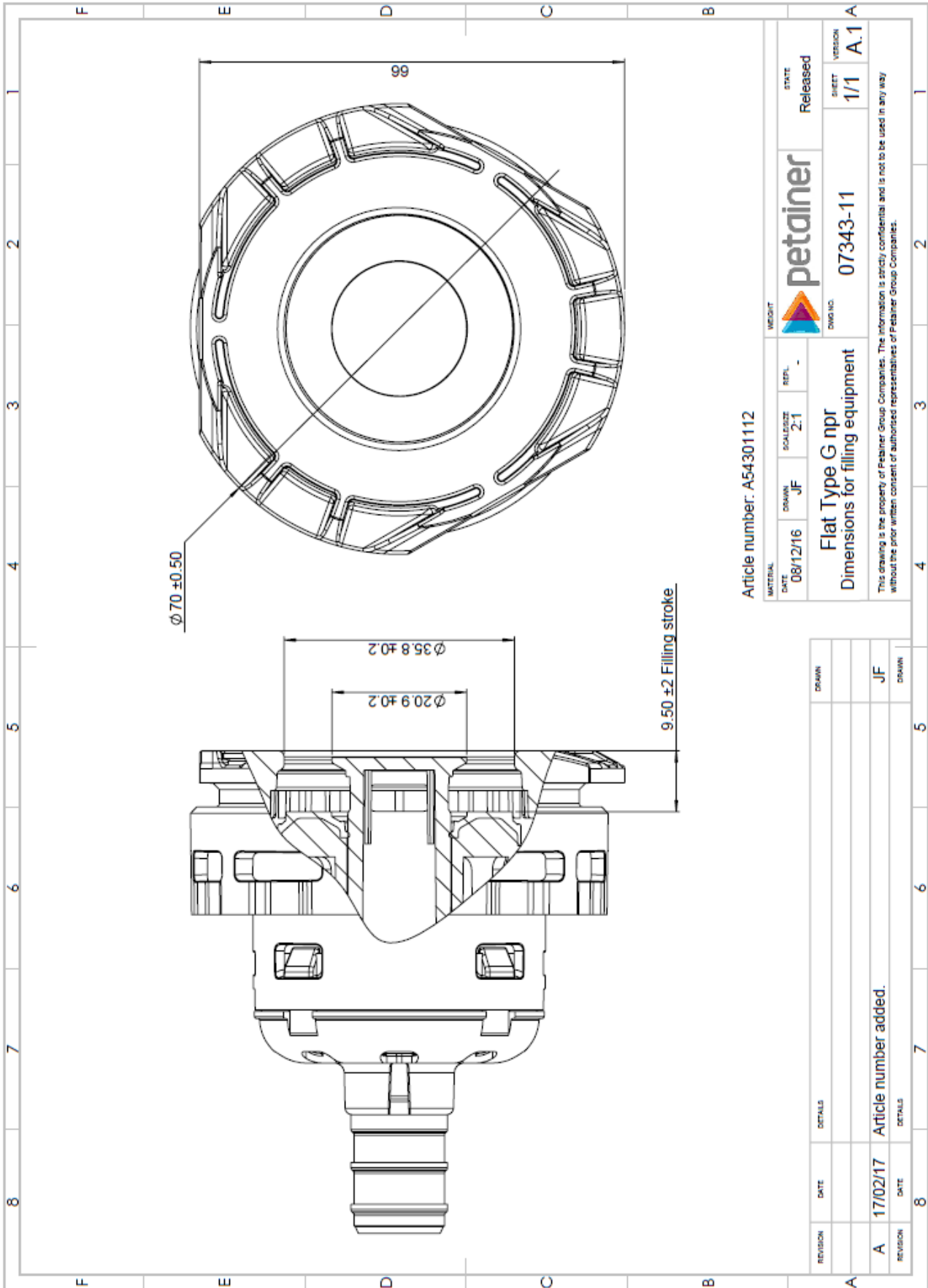
1. All machinery must be guarded in accordance with local regulations.
2. Eye and ear protection, together with work-wear should be used.
3. PET Kegs can get damaged by sharp objects.
4. Under filled Kegs or other rejects should be de-pressurised prior to disposal, using the Pressure Release Tool (PRT) supplied.

## Filling

1. We recommend disinfecting the fitting surface before filling (e.g. with 70% alcohol).
2. Purge/rinse the Keg with CO<sub>2</sub> (or other appropriate inert gas) to remove air from the Keg prior to filling.
3. **By request** we deliver the Hybrid with >99% N<sub>2</sub> inside.
4. Keg counter-pressure and filling (maximum pressure 3,1 bar / 45 psi) can then proceed as normal.

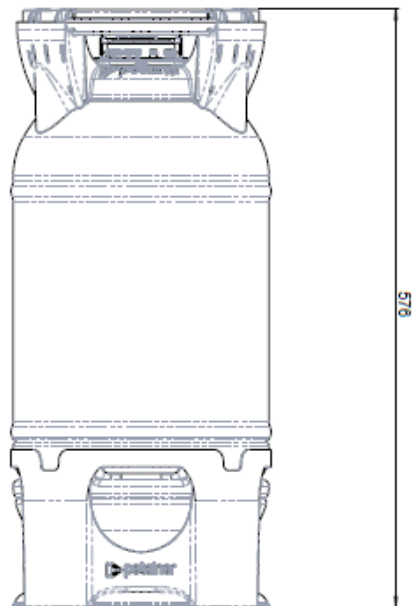
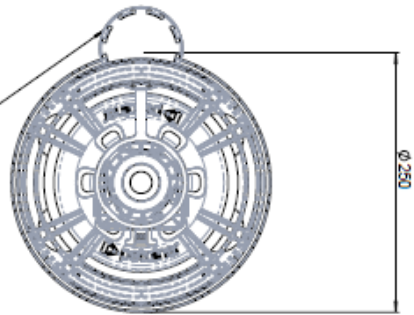
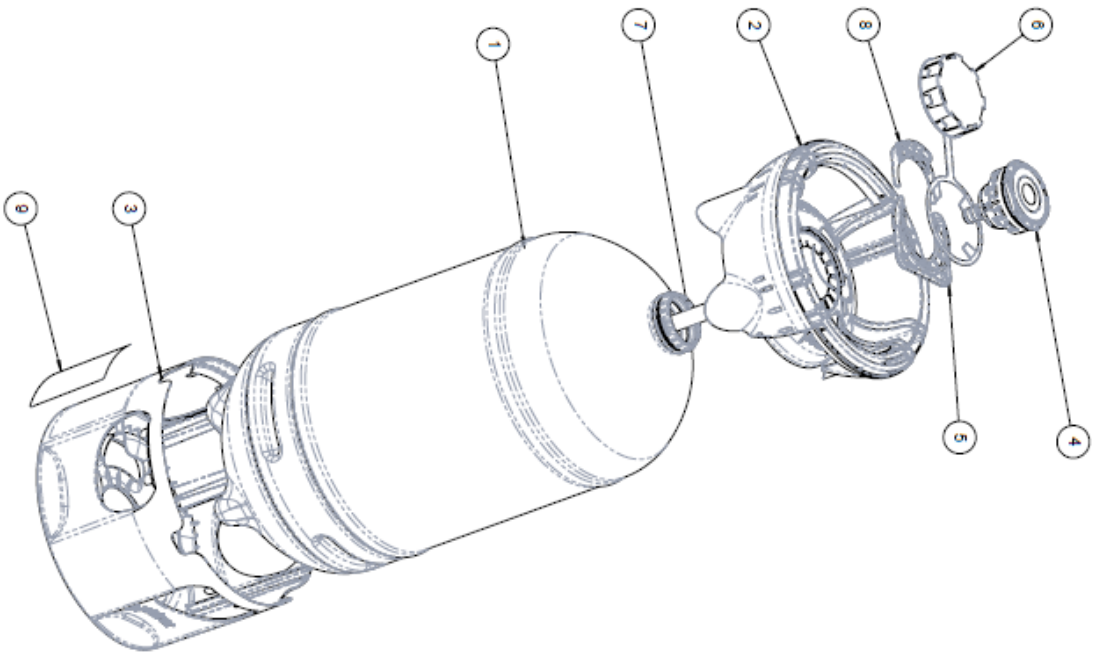


G npr = G-type without automatic pressure relief function



# Keg-Filler Set-up Hybrid G npr

G npr = G-type without automatic pressure relief function



NOTE: PRT location shown for reference only.  
Refer to assembly guidelines for correct positioning.

ITEM NO	QTY.	PART	PART NUMBER	MATERIAL	NOTE
1	1	20L Hybrid Keg	07369-03	PET	
2	1	16L, 20L Hybrid Keg Top Chime	07369-01	HDPE	
3	1	16L, 20L Hybrid Keg Bottom Chime	07369-02	HDPE	
4	1	G npr fitting	07343-09	Various	
5	1	Hybrid Keg Look-clip	07369-04	Nylon	
6	1	Flat type PRT	06863-03	PP	
7	1	20L Hybrid Keg AG spear	06869-08	PP	
8	1	Hybrid Keg Look-clip insert	07369-18	Nylon	
9	1	20L Hybrid Safety Label	07369-19	TBC	

Article number: AS4240111

D	08/10/17	Safety label added, sleeve removed	JF		
C	18/07/17	Parts and materials updated	JF		
B	18/06/17	Parts and references updated	JF		
A	13/04/17	Article number added	JF		

DATE: 09/02/17  
 DRAWN: JF  
 SCALE: 1:3  
 TITLE: 20 L Hybrid Keg G npr Assembly Drawing  
 PETAINER  
 07360-14  
 PO Released  
 1/1  
 D.1