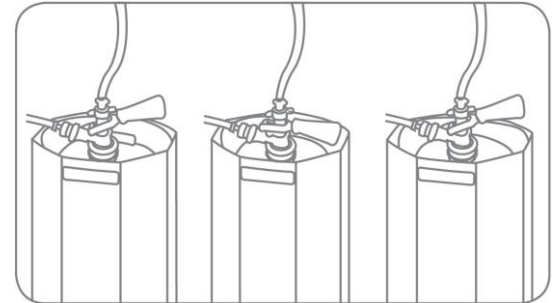


## USD D pr - Instruction for use

1. Break and remove the snap cap.
2. Push the dispense head into the fitting on top of the keg.
3. Hold the keg fitting with one hand, and turn the dispense head with the other hand until it stops.
4. Push down the dispense head handle. The keg is now ready to dispense.

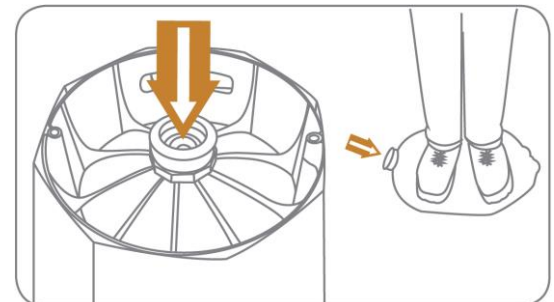


## USD D pr - Instruction for disposal

1. When the keg is empty, pull the dispense head handle upward, turn the dispense head counter-clockwise and gently remove it from the keg. The gas in the keg will be evacuated through the automatic pressure relief valve.
2. When **fully depressurised**, prevent the valve from re-sealing by inserting a blunt instrument (i.e. key, spoon handle) into the fitting. Alternatively puncture the depressurised keg. Flatten the complete keg and send for recycling in accordance with local recycling rules and regulations.

### Alternative before disposal:

Remove the keg from its outer casing. Using pliers, remove the pin securing the keg top, and detach. Flatten the petainerKeg™ and the polypropylene casings.



### If cleaning of the dispense line is required, or there is a need to uncouple the petainerKeg™ for any reason before the keg is empty:

1. Put the keg in an upright position.
2. Put a towel or similar around the fitting and dispense head.
3. Pull the dispense head handle upward.
4. Gently slide the dispense head off the fitting to release the pressure in the keg through the automatic pressure relief valve.
5. Keep the keg upright and cover the "open" fitting.
6. Reconnect as quickly as possible.

### To reconnect the keg:

1. Push the dispense head into the fitting.
2. Hold the keg fitting with one hand, and turn the dispense head with the other hand until it stops.
3. Push down the dispense head handle. The keg is again ready to dispense.