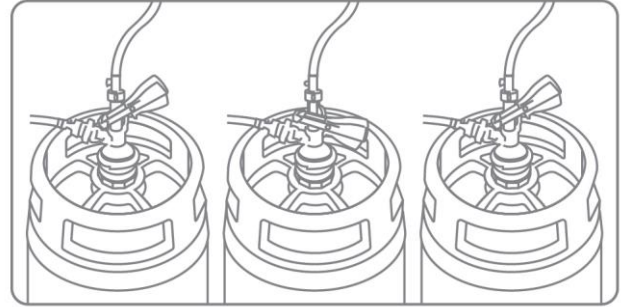


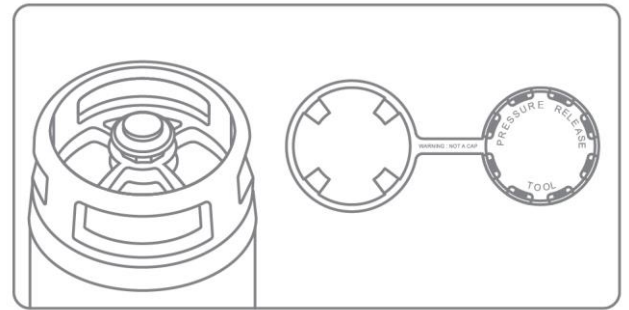
## Linestar™ G npr PRTF - Instruction for use

1. Break and remove the snap cap.
2. Push the dispense head onto the fitting on top of the keg.
3. Hold the keg fitting with one hand, and turn the dispense head with the other hand until it stops.
4. Push down the dispense head handle.  
The keg is now ready to dispense.



## Linestar™ G npr PRTF - Instruction for disposal

1. When the keg is empty, pull the dispense head handle upward, turn the dispense head counter-clockwise and gently remove it from the keg.
2. Push the depressurising tool (PRTF) onto the fitting.
3. When **fully depressurised**, disassemble the Linestar™ according to the disassembling pictograms and send for recycling in accordance with local recycling rules and regulations.



### Linestar™ disassembling

(Please use also the Linestar™ disassembling video on our website):



The petainerKeg™ Linestar™ G npr PRTF (without automatic pressure relief function) can be uncoupled and recoupled for cleaning of the dispense line, or for other reasons.

Take care.  
The petainerKeg™ is under pressure.