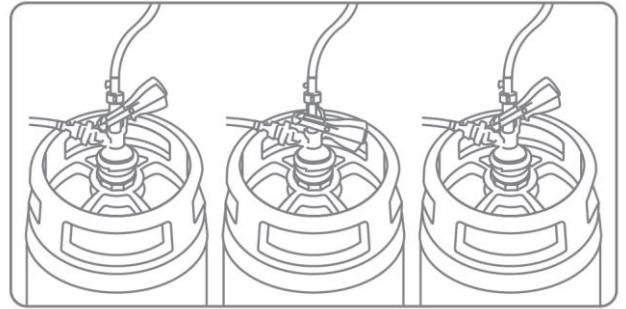


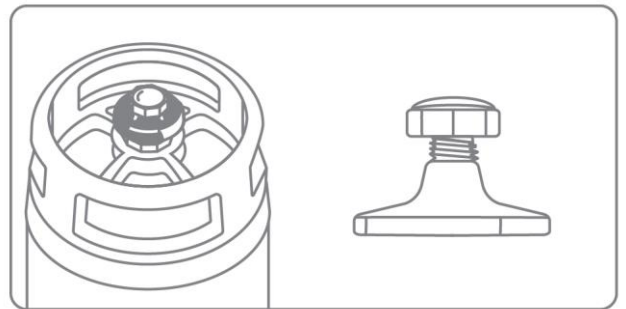
Linestar™ A npr - Instruction for use

1. Break and remove the snap cap.
2. Slide the dispense head onto the fitting on top of the keg.
(Take care that the **dispense head is fully engaged/slide on to the fitting**, to avoid fitting damage while pressing the handle down.)
3. Push down the dispense head handle.
The keg is now ready to dispense.



Linestar™ A npr - Instruction for disposal

1. When the keg is empty, pull the dispense head handle upward.
2. Gently slide the dispense head off the keg.
3. Slide on the depressurising tool (Keg-Entlüfter) and turn the screw clockwise until the pressure is released.
4. When **fully depressurised**, turn the screw counter-clockwise, slide off the tool and disassemble the Linestar™ according the disassembling pictograms and send for recycling in accordance with local recycling rules and regulations.



Linestar™ disassembling

(Please use also the Linestar™ disassembling video on our website):



The petainerKeg™ Linestar™ A npr (with no automatic pressure relief valve) can be uncoupled and recoupled for cleaning of the dispense line, or for other reasons.

Take care.
The petainerKeg™ is under pressure.