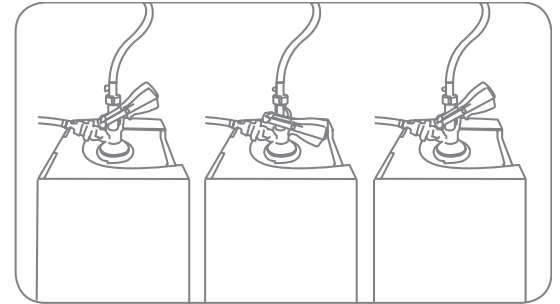


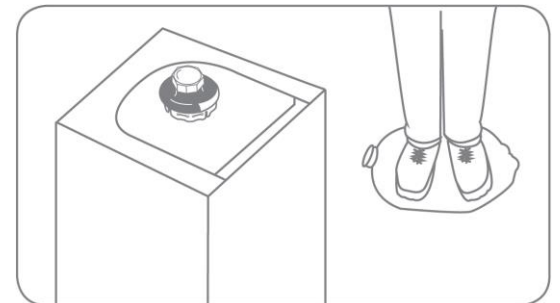
## Classic G npr - Instruction for use

1. Open the carton.
2. Break and remove the snap cap.
3. Push the dispense head onto the fitting on top of the keg.
4. Hold the keg fitting with one hand, and turn the dispense head with the other hand until it stops.
5. Push down the dispense head handle.  
The keg is now ready to dispense.



## Classic G npr - Instruction for disposal

1. When the keg is empty, pull the dispense head handle upward.
2. Turn the dispense head counter-clockwise and gently remove the dispense head from the keg.
3. Push the depressurising tool (Keg Entlüfter) onto the fitting. Hold the keg fitting with one hand, turn the depressurising tool with the other hand clockwise until it stops and turn the screw clockwise until the pressure is released.
4. When **fully depressurised**, flatten the petainerKeg™, hold the fitting with one hand and turn the screw and the depressurising tool with the other hand counter-clockwise, remove the tool, and send the keg for recycling in accordance with local recycling rules and regulations.
5. The cardboard carton can also be crushed or folded and sent for recycling.



The petainerKeg™ Classic G npr (without automatic pressure relief function) can be uncoupled and recoupled for cleaning of the dispense line, or for other reasons.

Take care.  
The petainerKeg™ is under pressure.