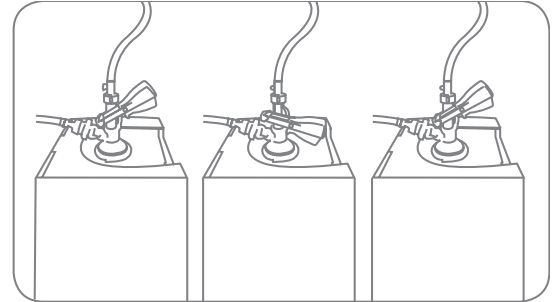


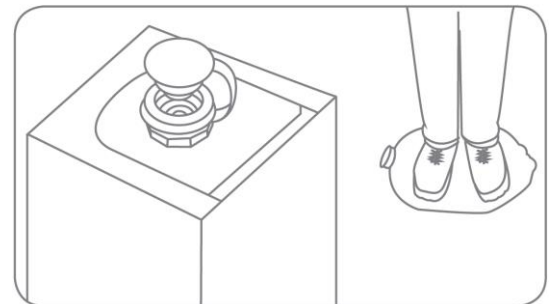
Classic A npr PRTF - Instruction for use

1. Open the carton.
2. Break and remove the snap cap.
3. Slide the dispense head onto the fitting on top of the keg.
(Take care that the **dispense head is fully engaged/slide on to the fitting**, to avoid fitting damage while pressing the handle down.)
4. Push down the dispense head handle.
The keg is now ready to dispense.



Classic A npr PRTF - Instruction for disposal

1. When the keg is empty, pull the dispense head handle upward.
2. Gently slide the dispense head off the keg.
3. Push the pressure relief tool (PRTF) into the fitting.
4. When **fully depressurized**, flatten the Keg.
Send the petainerKeg™ for recycling in accordance with local recycling rules and regulations.
5. The cardboard carton can also be crushed or folded and sent for recycling.



The petainerKeg™ Classic A npr (without automatic pressure relief function) can be uncoupled and recoupled for cleaning of the dispense line, or for other reasons.

Take care.
The petainerKeg™ is under pressure.